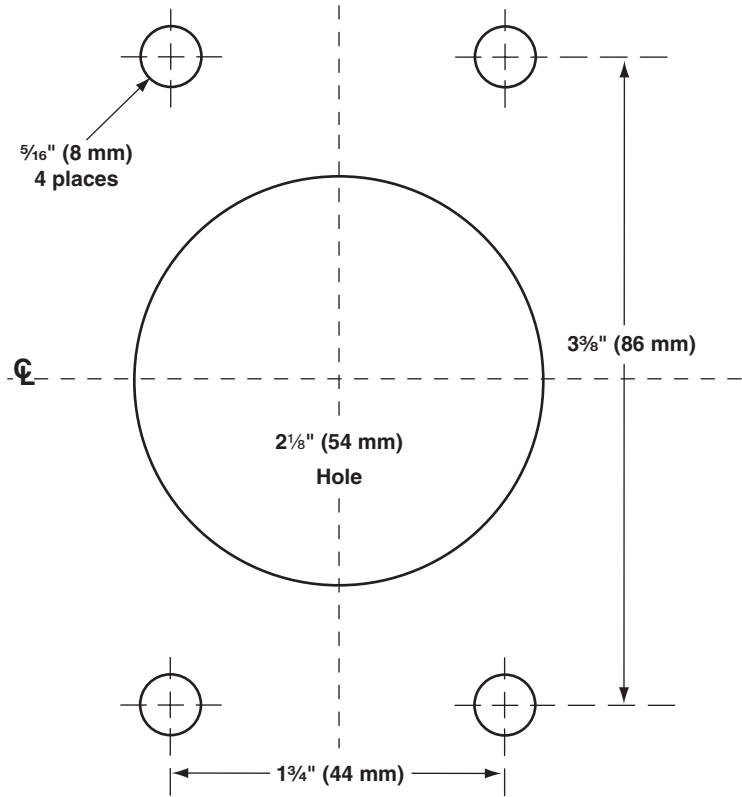
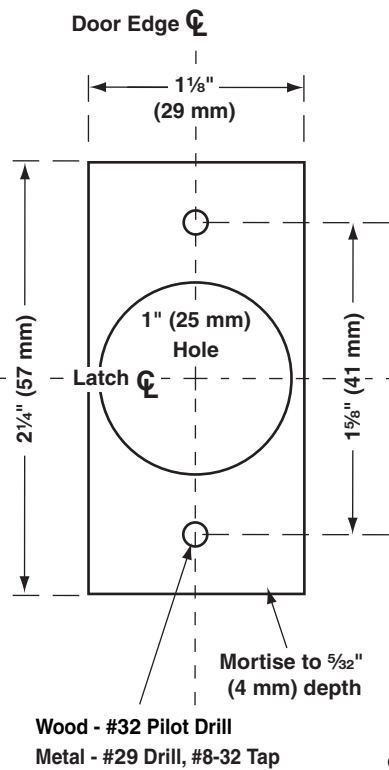


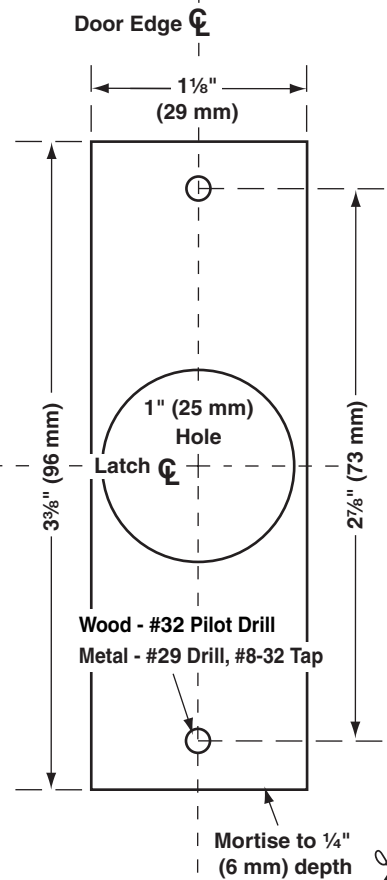
Template #1



**Template #2
(standard latch)**

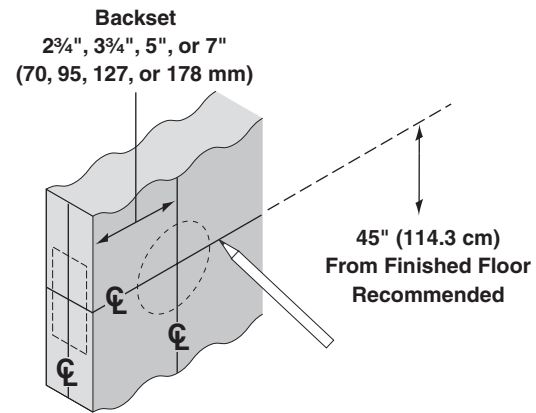


**Template #3
(latch with roller adapter)**

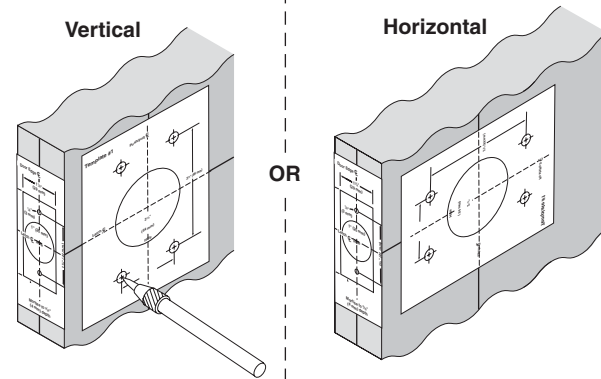


Door Preparation

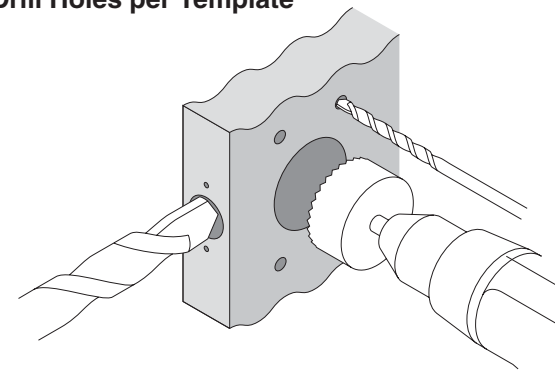
1 Mark Center Lines (\mathcal{C})



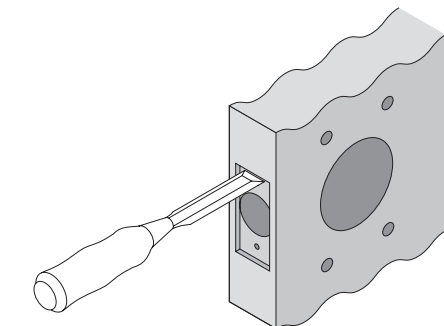
2 Mark Door



3 Drill Holes per Template



4 Mortise for Latch per Template



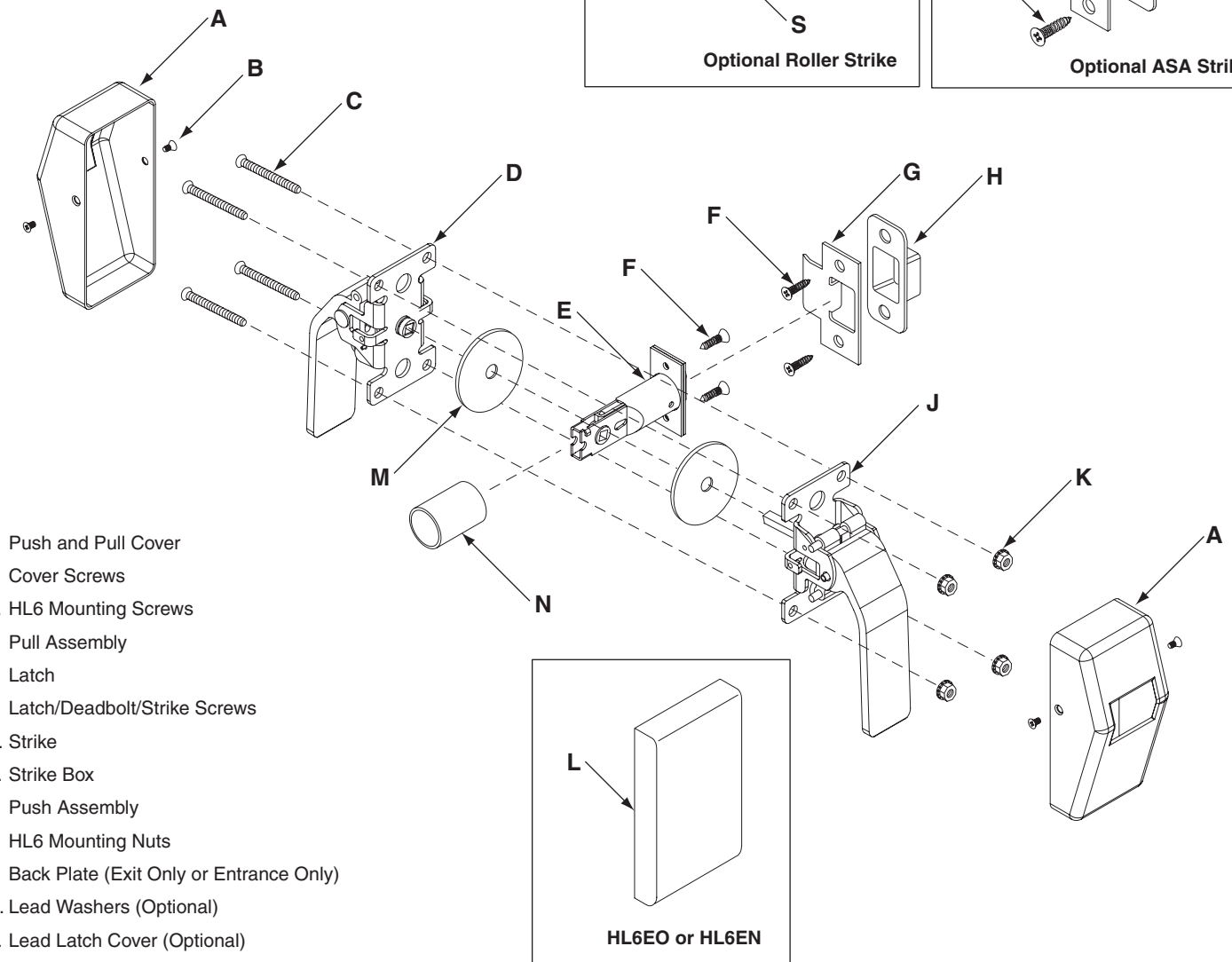
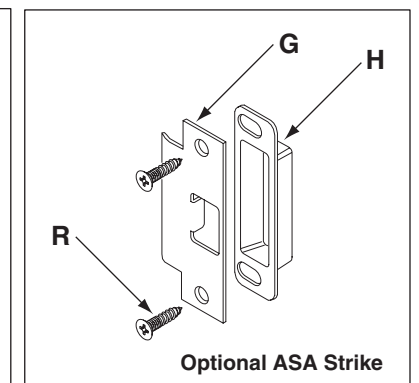
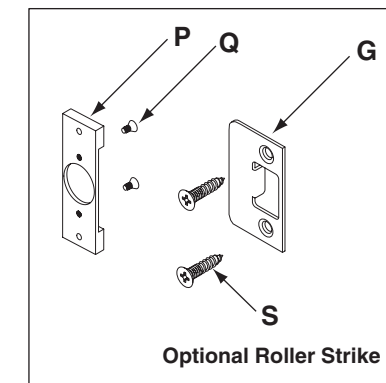
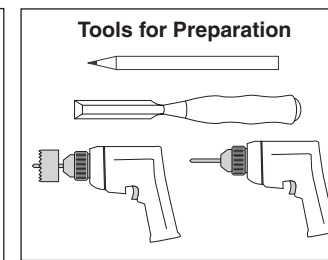
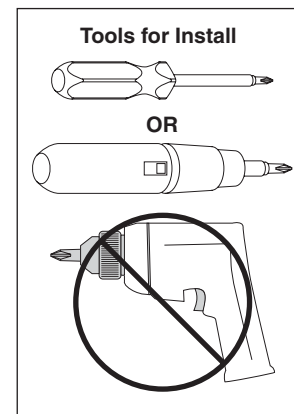
© 2007 Ingersoll-Rand Co. Ltd.
829694_00(1)



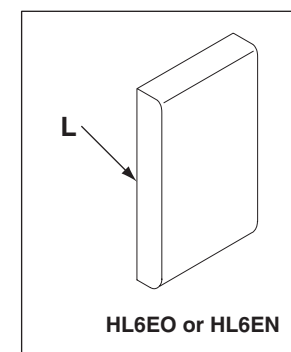
829694-00

GLYNN-JOHNSON®

**Installation Instructions
HL6 Push/Pull Latch**



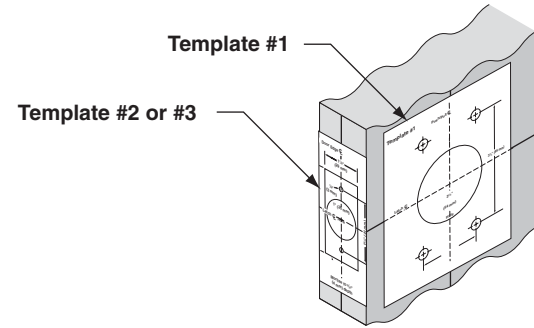
- A. Push and Pull Cover
- B. Cover Screws
- C. HL6 Mounting Screws
- D. Pull Assembly
- E. Latch
- F. Latch/Deadbolt/Strike Screws
- G. Strike
- H. Strike Box
- J. Push Assembly
- K. HL6 Mounting Nuts
- L. Back Plate (Exit Only or Entrance Only)
- M. Lead Washers (Optional)
- N. Lead Latch Cover (Optional)
- P. Roller Bracket
- Q. Roller Bracket Screws
- R. ASA Strike Screws
- S. Roller Strike Screws



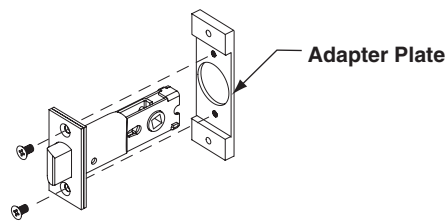
Install Latch

1 Use Templates from Back Page to Check Holes

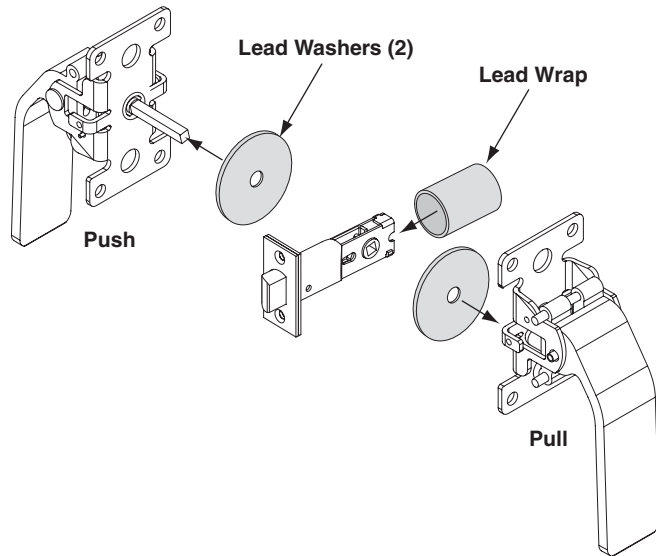
NOTE: If door holes do not match template, see Door Preparation section on back page.



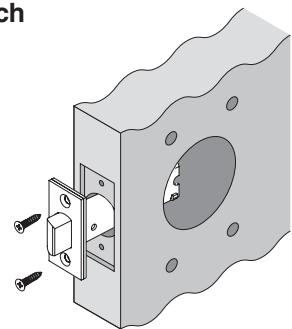
2 For HL6RL (Roller Strike) ONLY, Install Adapter Plate



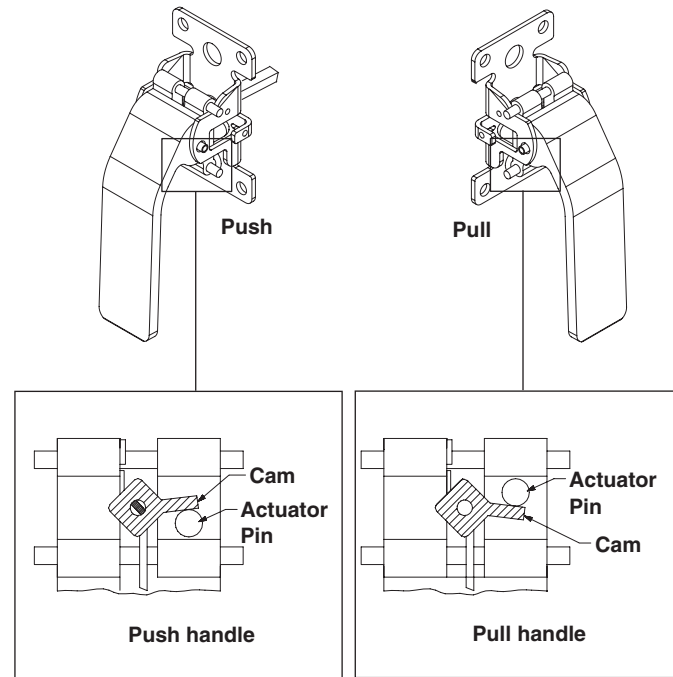
3 For HL6L (Lead Lined) ONLY, Install Lead Lining



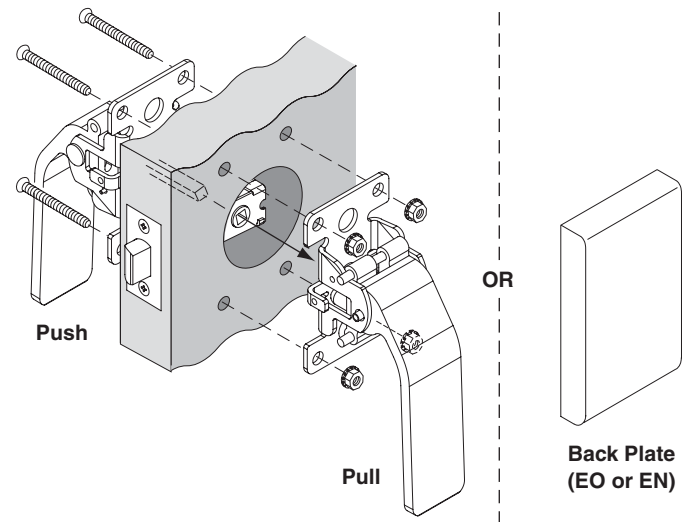
4 Install Latch



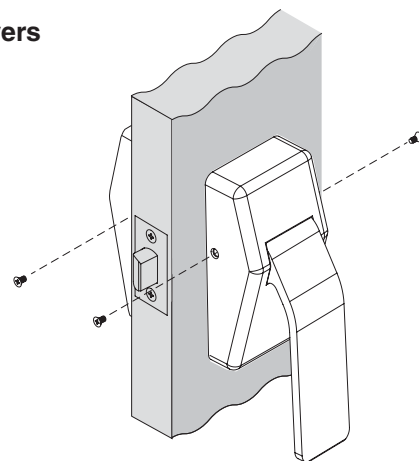
5 Position Cams as Shown



6 Install Push Lever and Pull Lever

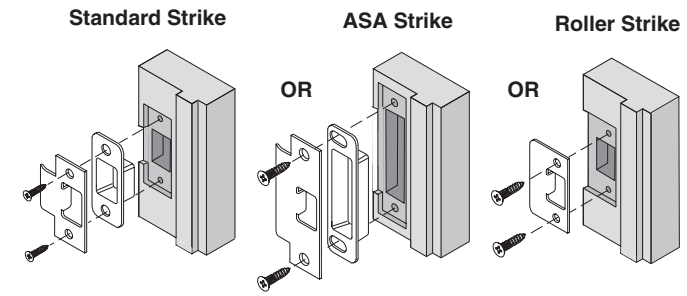


7 Install Covers



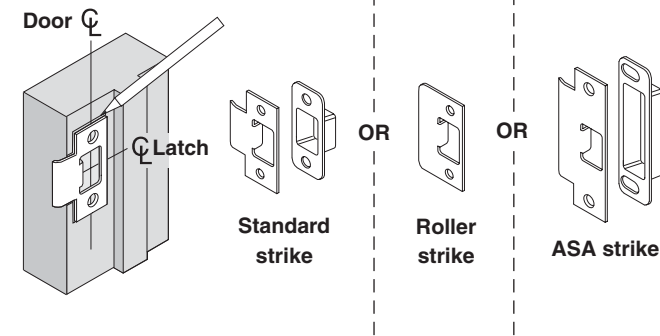
8 Install Strike

NOTE: If frame not prepared, see Frame Preparation below.



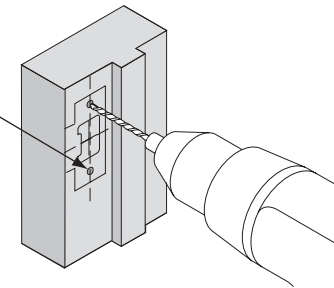
Frame Preparation

1 Use Strike as a Pattern to Mark Frame



2 Drill Holes

Standard
 Wood - #32 Pilot Drill
 Metal - #29 Drill, #8-32 Tap
ASA Strike or Roller Strike
 Wood - 1/8" (3mm) Pilot Drill
 Metal - #17 Drill, #12-24 Tap



3 Mortise for Strike

NOTE: Strike should be flush to frame.

