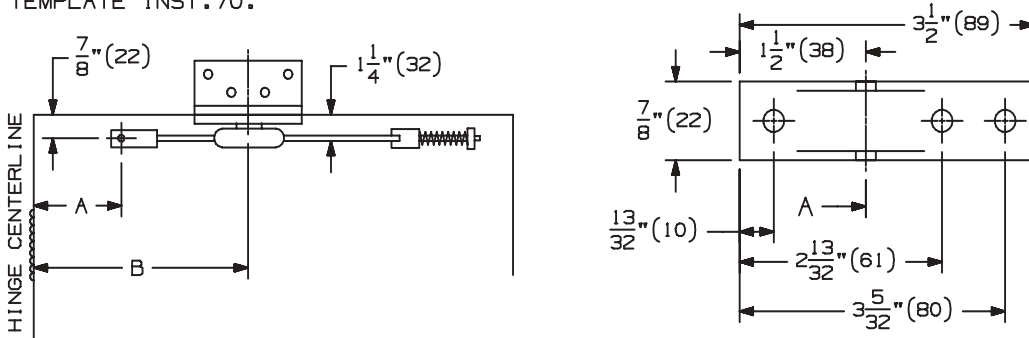


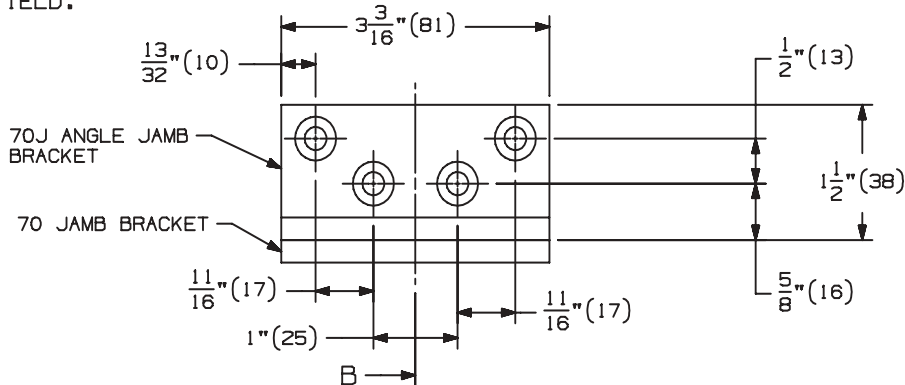
OVERHEAD HOLDER OR STOPS MUST BE INSTALLED BEFORE CLOSERS.

1. A. FOLLOW STEP 1 FROM THE 70 SERIES SURFACE OVERHEAD HOLDER INSTALLATION TEMPLATE INST.70.



DOOR BRACKET 70 SERIES

2. A. LOCATE "B" DIMENSION ON THE FACE OF THE FRAME OR ON THE FLUSH TRANSOM PANEL. NOTE THAT THE "B" DIMENSION IS MEASURED FROM THE CENTERLINE OF THE HINGE AS SHOWN.
- B. FOR METAL FRAMES, USE A #7 DRILL AND 1/4"-20 TAP IN 4 PLACES. FOR WOOD FRAMES, DRILL 3/16" PILOT HOLES IN 4 PLACES. MOUNTING HOLES SHOULD BE PREPARED IN THE FIELD.



3. A. FOLLOW STEP 3 FROM THE 70 SERIES OVERHEAD SURFACE HOLDER INSTALLATION TEMPLATE INST.70
4. A. INSTALL ANGLE BRACKET ONTO STANDARD JAMB BRACKET WITH 1/4"-20 X 1/2" FPHMS PROVIDED WITH THE ANGLE BRACKET.
- B. INSTALL THE DOOR BRACKET ON THE DOOR.
- C. INSTALL THE ANGLE BRACKET TO THE FACE OF THE FRAME OR THE TRANSOM PANEL.

SCREW DETAILS

| | QTY | WOOD | METAL |
|-------|-----|------------------------|------------------------|
| ANGLE | 4 | 1/4"-20 X 1/2" FPHMS | 1/4"-20 X 1/2" FPHMS |
| JAMB | 4 | #14 X 1 1/2" FPHSMS | 1/4"-20 X 3/4" FPHMS |
| DOOR | 2 | 1/4"-20 X 1 3/4" PPHMS | 1/4"-20 X 1 3/4" PPHMS |
| DOOR | 2 | 1/4"-20 GROMMET NUTS | 1/4"-20 GROMMET NUTS |
| DOOR | 1 | #14 X 1 1/2" PPHMS | |
| DOOR | 3 | | 1/4"-20 X 3/4" PPHMS |

70 SERIES SURFACE OVERHEAD HOLDER ANGLE BRACKET (PUSH SIDE) INSTALLATION TEMPLATE



NOTE: DIMENSIONS IN () ARE IN MILLIMETERS

TEMPLATE NUMBER: INST.70J_1

DATE: 04-15-04

INST.70J ①

